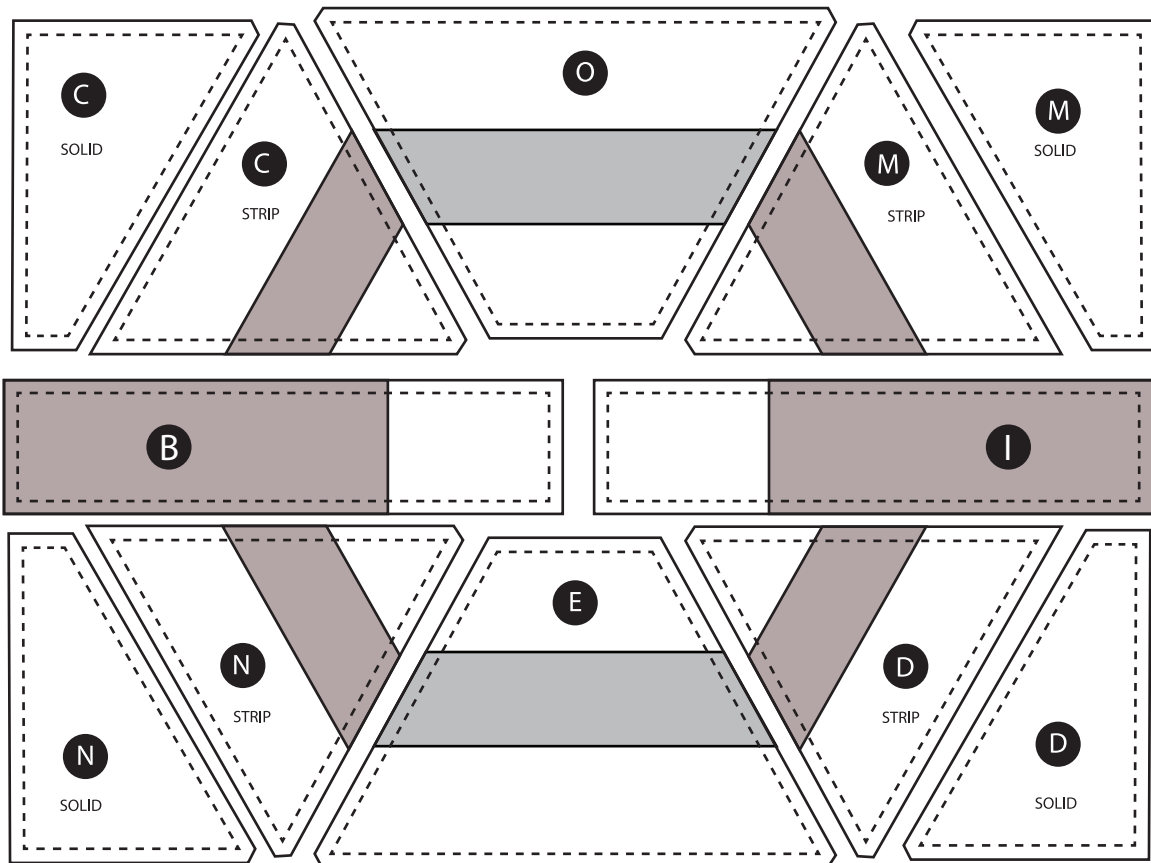


THE CONNECTED PROJECT - STRIP PIECED/TRADITIONAL ALTERNATIVE for QUILTER'S GUILD OF PLANO - adapted by Michael Davison

Use these new templates C, O, M, N, E, D to cut from strip-pieced units and rectangles. You will use the original B and I templates from the original pattern.

Here is a bird's eye view of the new pieces and how they relate to the overall pattern:



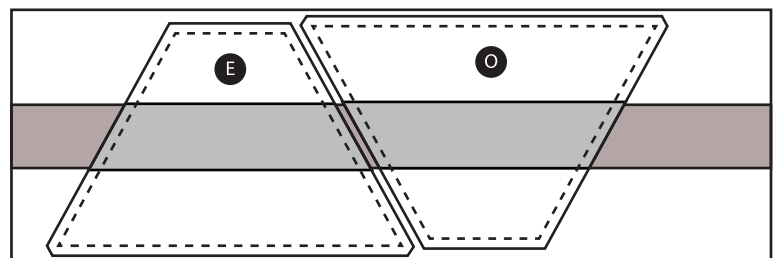
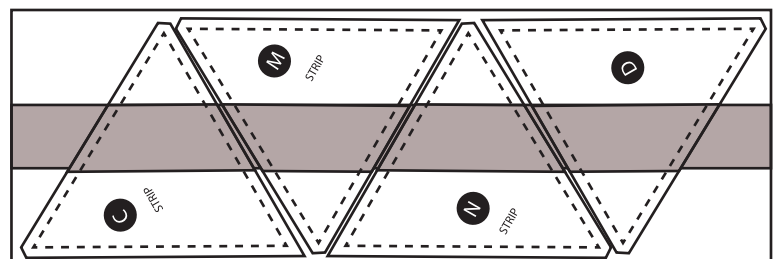
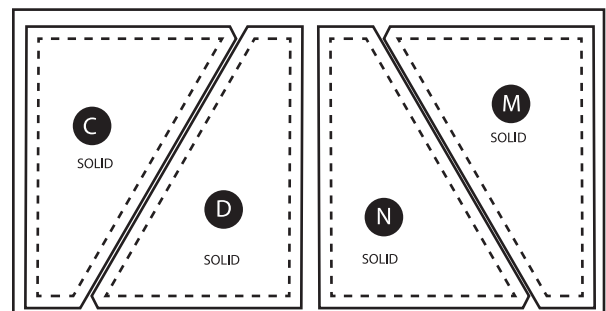
The fabric you need for the new pieces (C, O, M, N, E, D) is:

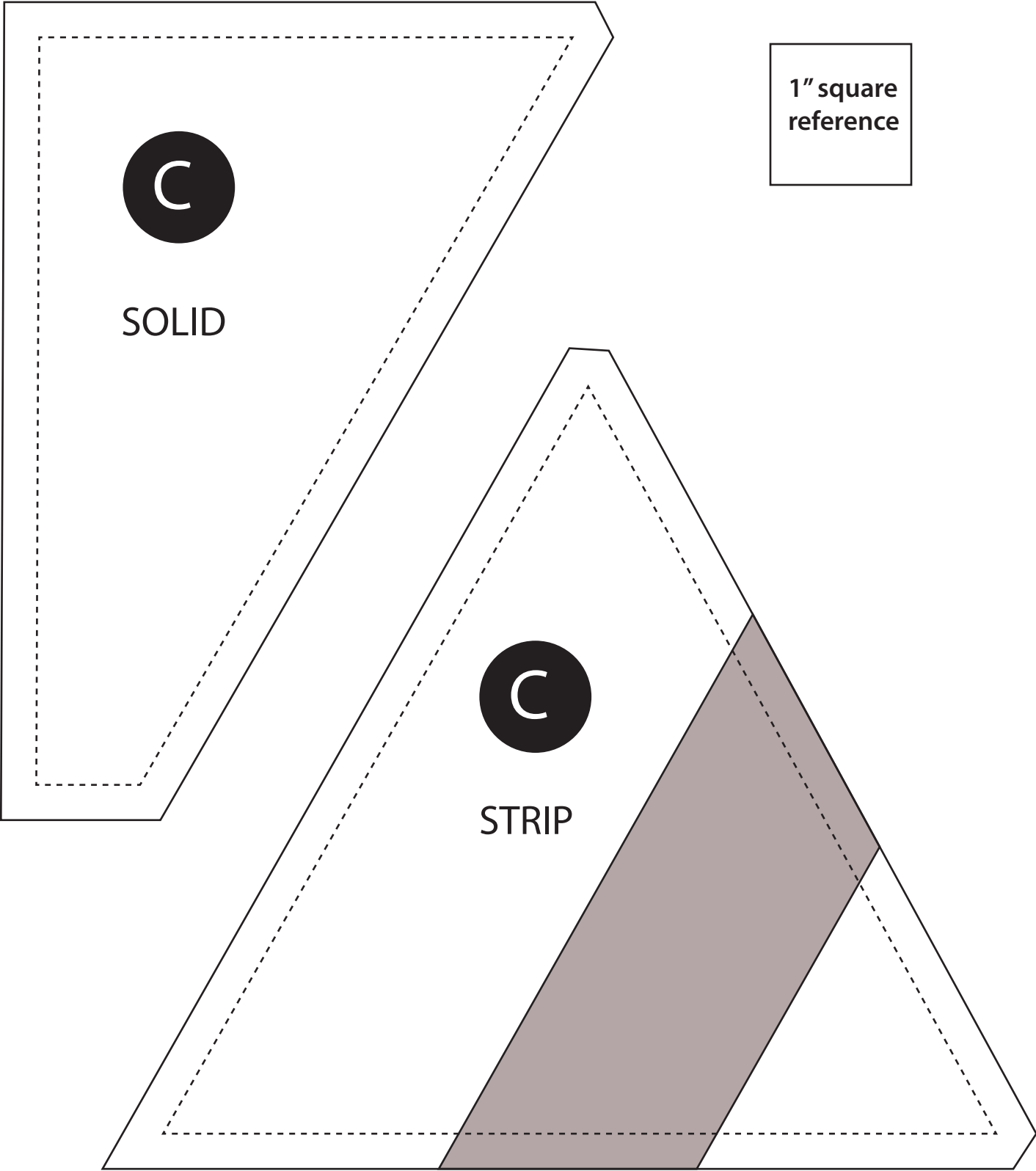
- (4) 2.5" x 18" strips of background fabric
- (2) 2.25" x 18" strips of print or color fabric
- (1) background fabric rectangle 6" x 12"

Sew two background strips on both long sides of a print/color strip to make your strip pieced units. You will do this two times.

Use templates C strip, M strip, N strip, D strip on one strip unit, and E and O on the other.

Use the C solid, D solid, N solid, and M solid templates on the background fabric rectangle.





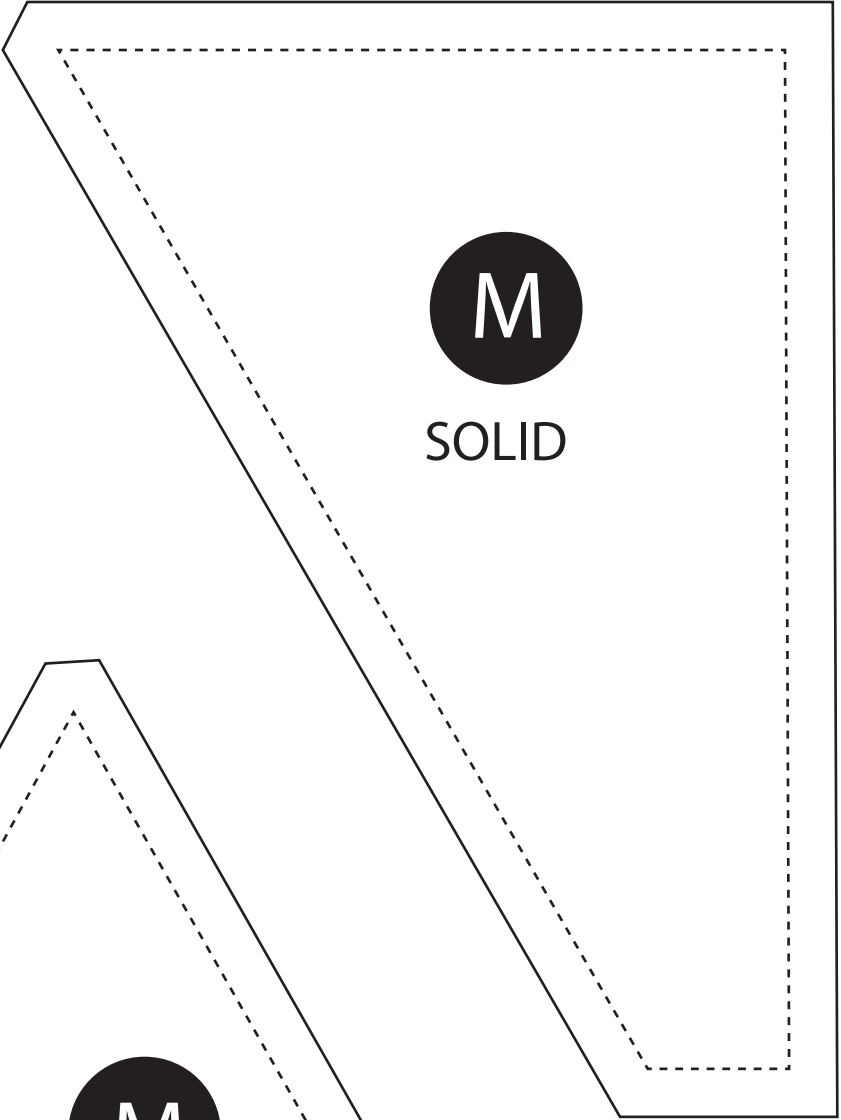
SOLID



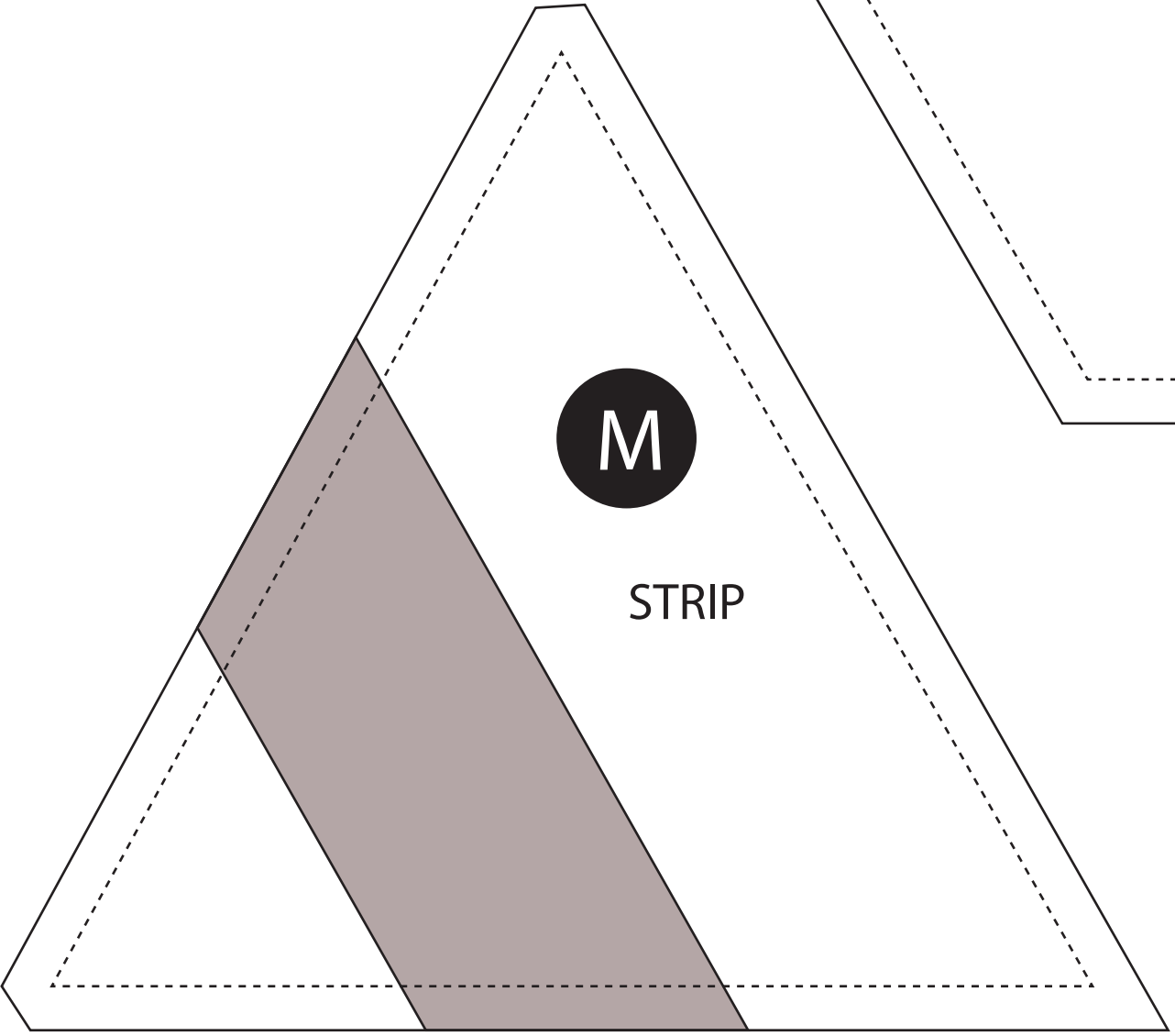
STRIP

1" square
reference

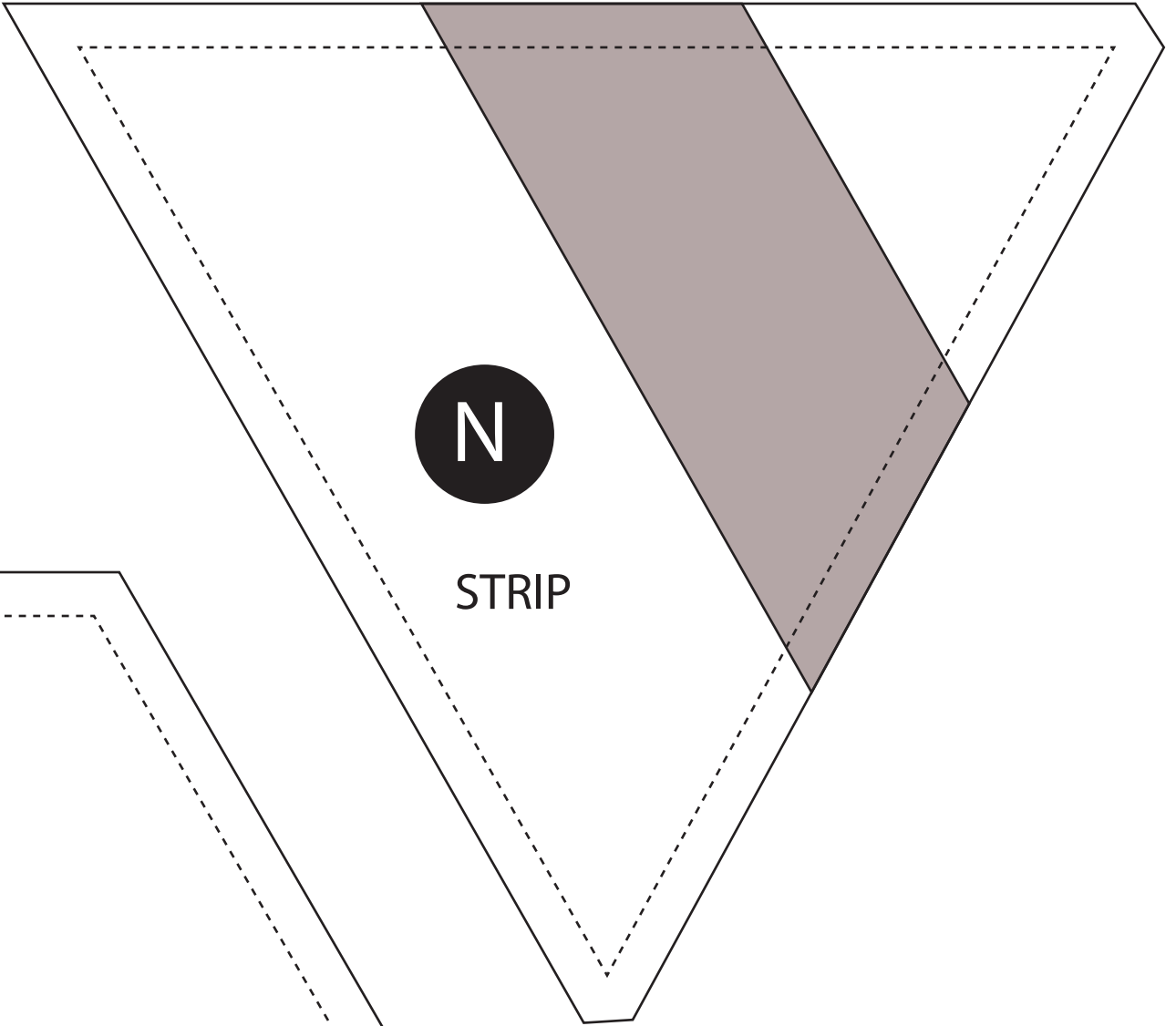
1" square
reference



M
SOLID

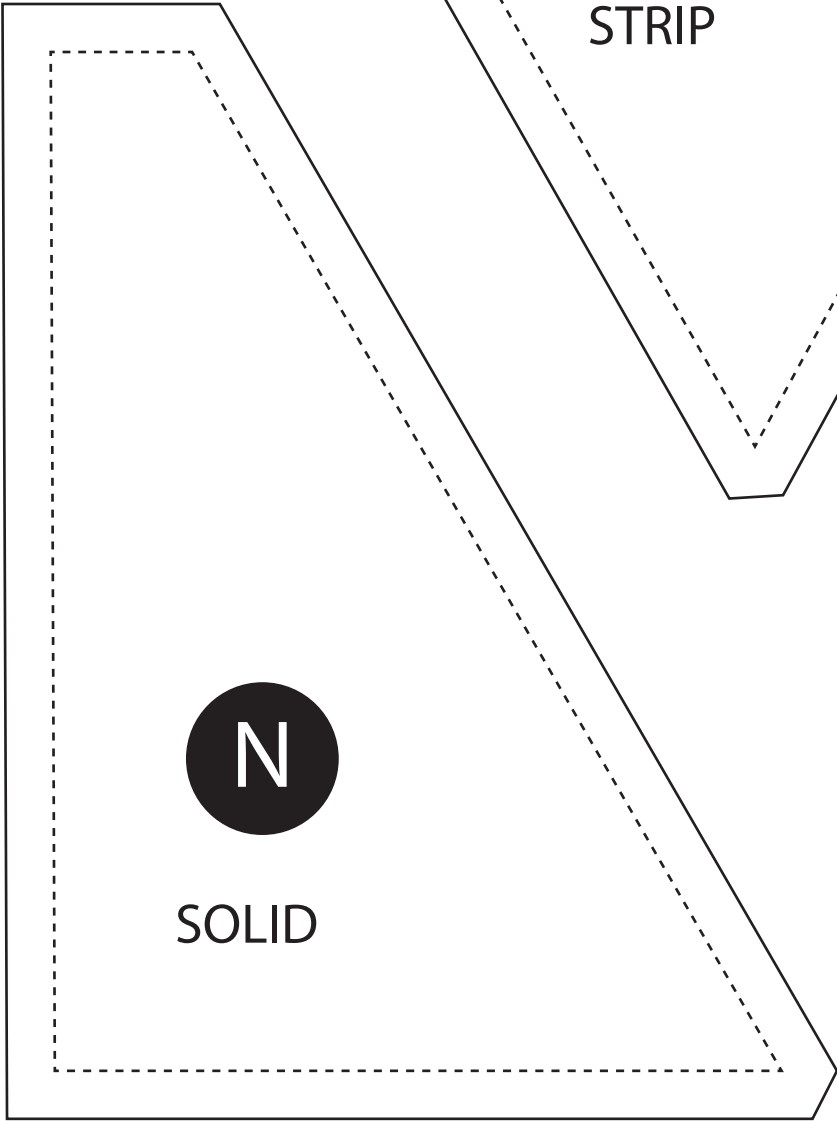


M
STRIP



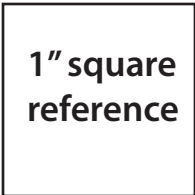
N

STRIP

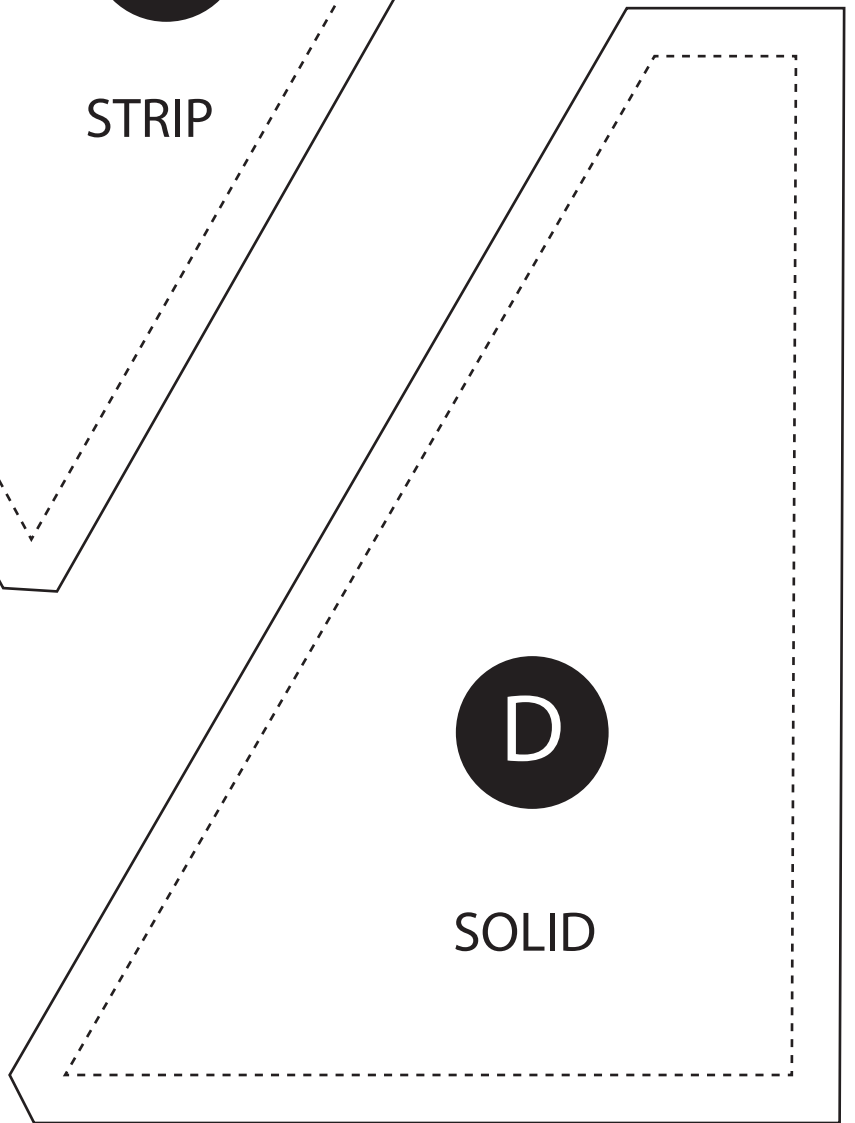
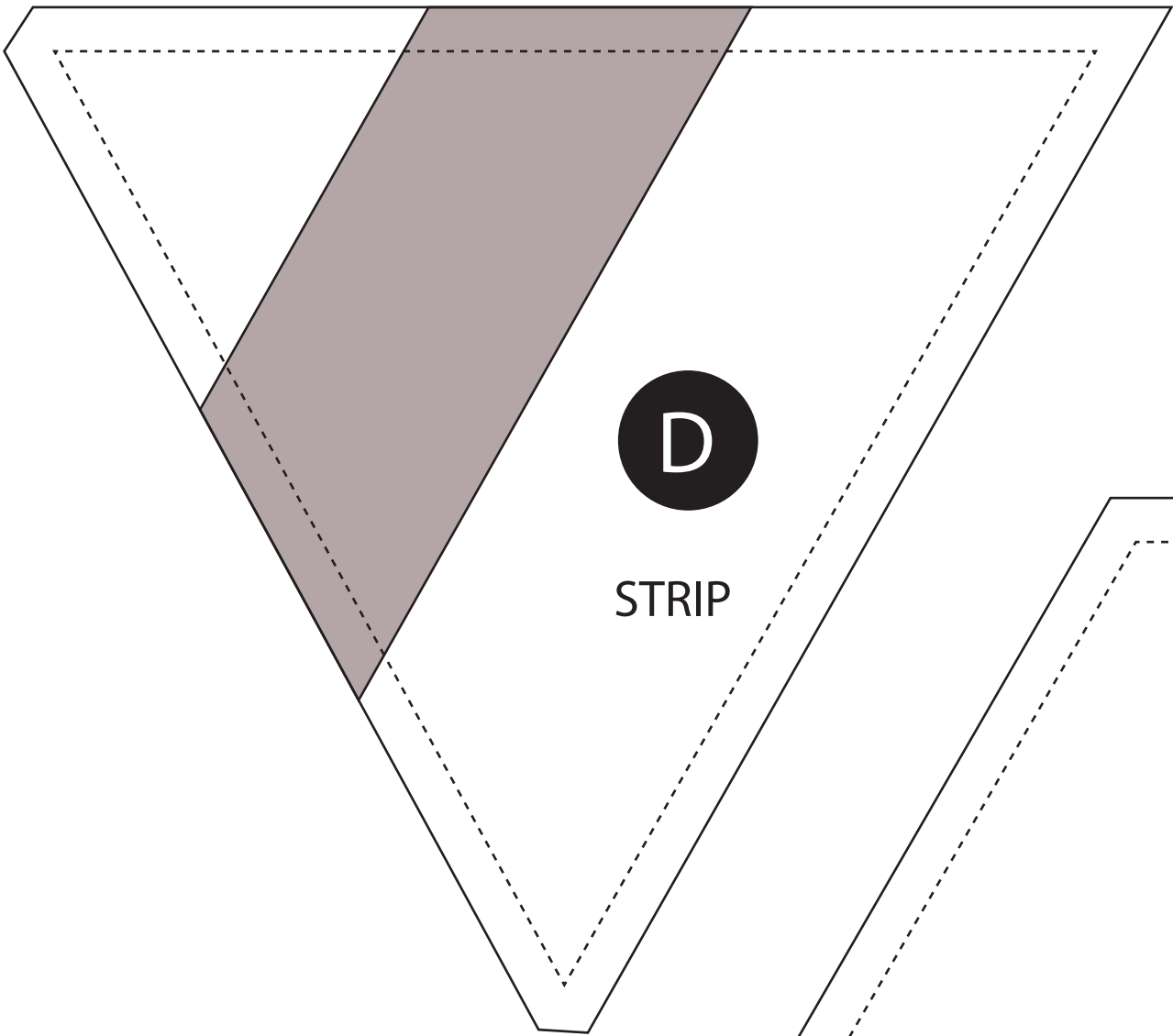


N

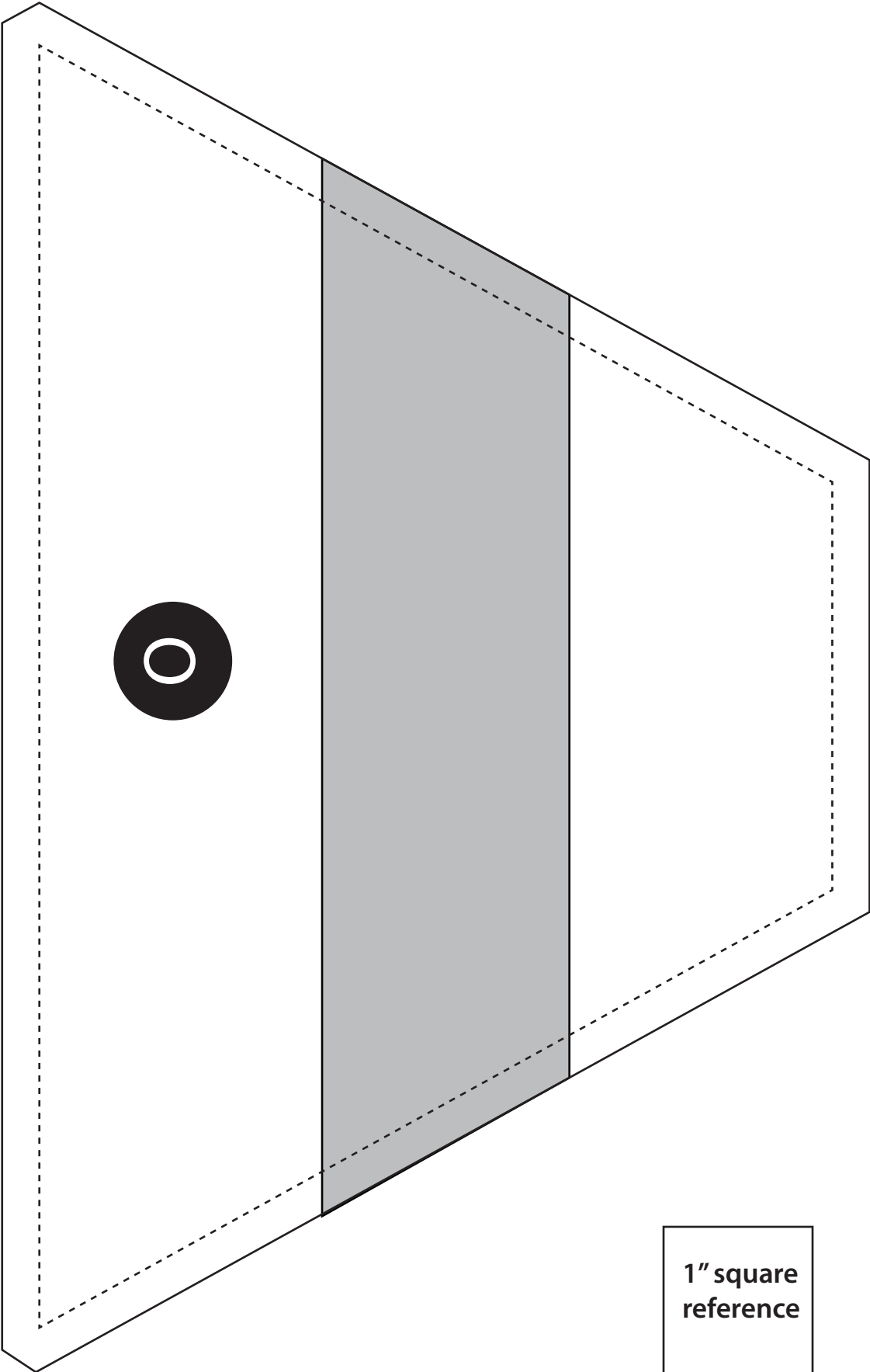
SOLID



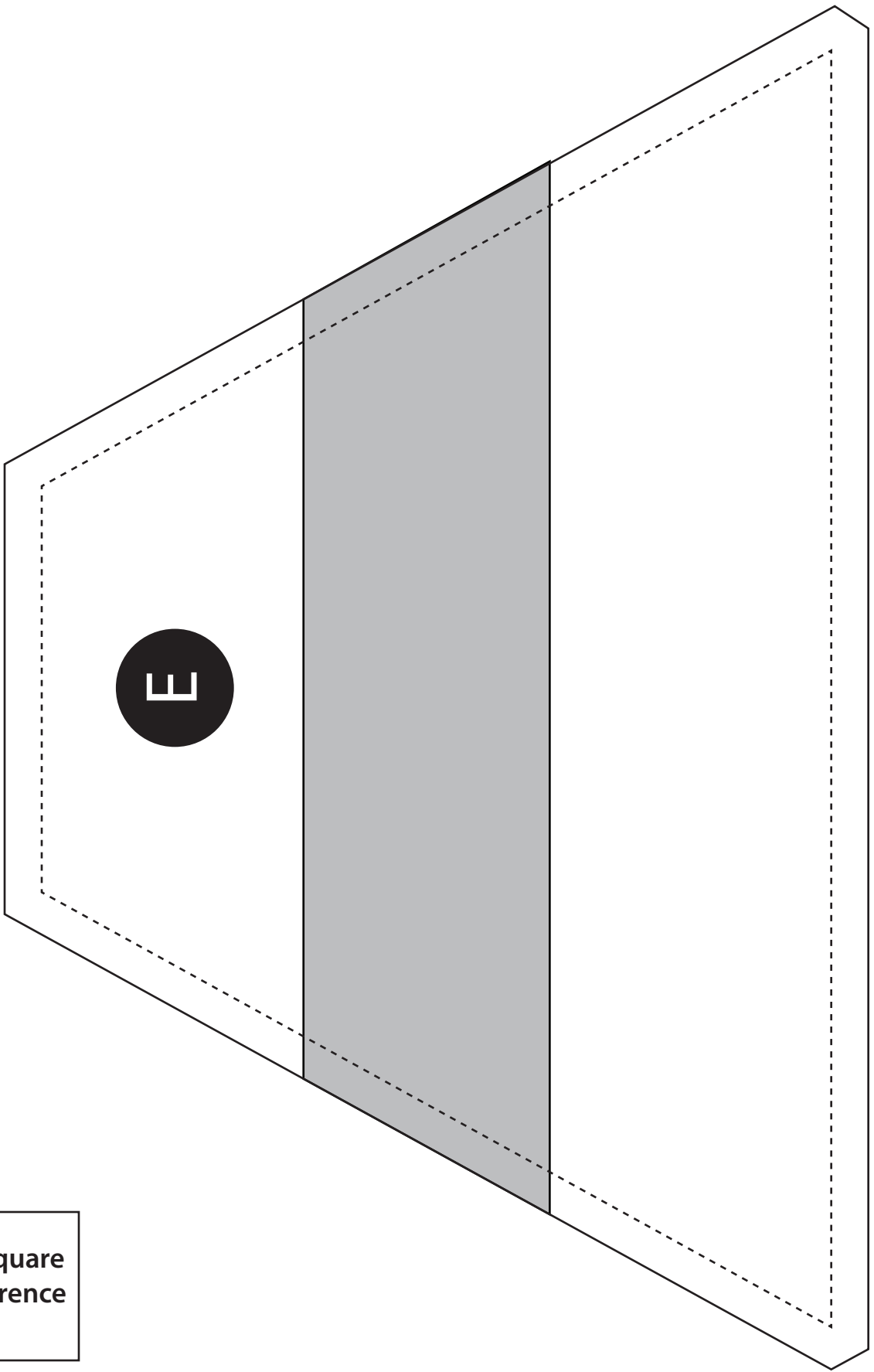
1" square
reference



1" square
reference



1" square
reference



1" square
reference